

impasse™

TERMITE BLOCKER

Active Ingredient:

Lambda-cyhalothrin*

[1 α (S*),3 α (Z)]-(\pm)-cyano-(3-phenoxyphenyl)methyl-
3-(2-chloro-3,3,3-trifluoro-1-propenyl)-2,2-
dimethylcyclopropanecarboxylate 0.77%

Other Ingredients: 99.23%

Total: 100.00%

**A synthetic pyrethroid*

KEEP OUT OF REACH OF CHILDREN.

CAUTION

*See additional precautionary statements
and directions for use in booklet.*

EPA Reg. No. 100-1166

EPA Est. 73961-GA-002

SCP 1166A-L1A 0603



syngenta

Impasse™ Termite Blocker

TABLE OF CONTENTS

FIRST AID
PRECAUTIONARY STATEMENTS
Environmental Hazards
CONDITIONS OF SALE AND LIMITATIONS OF WARRANTY
DIRECTIONS FOR USE
STORAGE AND DISPOSAL
INTRODUCTION
General
INSTALLATION
Vertical Plumbing and Utility Penetrations
Non-Vertical Plumbing and Utility Penetrations
Bath Trap Drainpipe
IMPASSE TERMITE BLOCKER - INSPECTION

FIRST AID	
If on skin or clothing	<ul style="list-style-type: none">• Take off contaminated clothing.• Rinse immediately with plenty of water for 15-20 minutes.• Call a poison control center or doctor for treatment advice.
Have the product container or label with you when calling a poison control center or doctor, or going for treatment.	
HOT LINE NUMBER For 24 Hour Medical Emergency Assistance (Human or Animal) Or Chemical Emergency Assistance (Spill, Leak, Fire or Accident), Call 1-800-888-8372	

PRECAUTIONARY STATEMENTS

Hazards to Humans and Domestic Animals

CAUTION

Prolonged or frequently repeated skin contact might cause skin reactions in some individuals.

Environmental Hazards

This product is toxic to fish. Do not apply directly to water. Do not contaminate any water by disposal of this product.

CONDITIONS OF SALE AND LIMITATIONS OF WARRANTY

NOTICE: Read the entire Directions for Use and Conditions of Sale and Limitation of Warranty and Liability before buying or using this product. If the terms are not acceptable, return the product at once, unopened, and the purchase price will be refunded.

Syngenta warrants that this product conforms to the chemical description on the label and is reasonably fit for the purposes stated in the Directions for Use, when used in accordance with directions under normal use conditions. This warranty does not extend to the use of this product contrary to label instructions, or under abnormal conditions or under conditions not reasonably foreseeable to or beyond the control of Seller or Syngenta, and Buyer and User assume the risk of any such use. SYNGENTA MAKES NO WARRANTIES OF MERCHANTABILITY OR OF FITNESS FOR A PARTICULAR PURPOSE NOR ANY OTHER EXPRESS OR IMPLIED WARRANTY EXCEPT AS STATED ABOVE.

In no event shall SYNGENTA or Seller be liable for any incidental, consequential or special damages resulting from the use or handling of this product. **THE EXCLUSIVE REMEDY OF THE USER OR BUYER, AND THE EXCLUSIVE LIABILITY OF SYNGENTA AND SELLER FOR ANY AND ALL CLAIMS, LOSSES, INJURIES OR DAMAGES (INCLUDING CLAIMS BASED ON BREACH OF WARRANTY, CONTRACT, NEGLIGENCE, TORT, STRICT LIABILITY OR OTHERWISE) RESULTING FROM THE USE OR HANDLING OF THIS PRODUCT, SHALL BE THE RETURN OF THE PURCHASE PRICE OF THE PRODUCT OR, AT THE ELECTION OF SYNGENTA OR SELLER, THE REPLACEMENT OF THE PRODUCT.**

Syngenta and Seller offer this product, and Buyer and User accept it, subject to the foregoing Conditions of Sale and Limitation of Warranty and of Liability, which may not be modified except by written agreement signed by a duly authorized representative of Syngenta.

DIRECTIONS FOR USE

It is a violation of Federal law to use this product in a manner inconsistent with the label.

Impasse™ Termite Blocker

STORAGE AND DISPOSAL

Do not contaminate water, food, or feed by storage or disposal.

Storage

Store in original container only in cool and dry storage area. Do not store in the open or where it will be exposed to prolonged direct sunlight. Do not store near food or feed.

Handling of Product Trimmings

When installing IMPASSE Termite Blockers on a building site there may be product trimmings remaining after installation. Dispose any trimmings at an approved waste disposal facility.

Container Disposal

Dispose empty container at an approved waste disposal facility. Do not reuse container.

INTRODUCTION

General

Impasse Termite Blocker is intended for installation around plumbing, electrical, and other utility penetrations (further referenced as utility penetrations throughout this label) before the concrete foundation of the structure is poured.

Utility penetrations need special attention, as they are common entry points into structures for subterranean termites. Impasse Termite Blocker provides long-term protection from entry of subterranean termites through the gaps and spaces that naturally occur over time between the utility penetrations and the concrete.

Impasse Termite Blocker is constructed from a uniform multi-layer polymer film that consist of an interior layer of *lambda-cyhalothrin* termiticide/insecticide, surrounded on either side by layers of polymers relatively impervious to the active ingredient. The outer film layers also act as a UV protector, providing long term storage and exposure durability of the product.

Impasse Termite Blocker is manufactured in multiple sizes to fit over a wide range of utility pipe diameters. Figure 1 illustrates the one-piece Impasse Termite Blocker and the portions that will be referred to throughout this label.

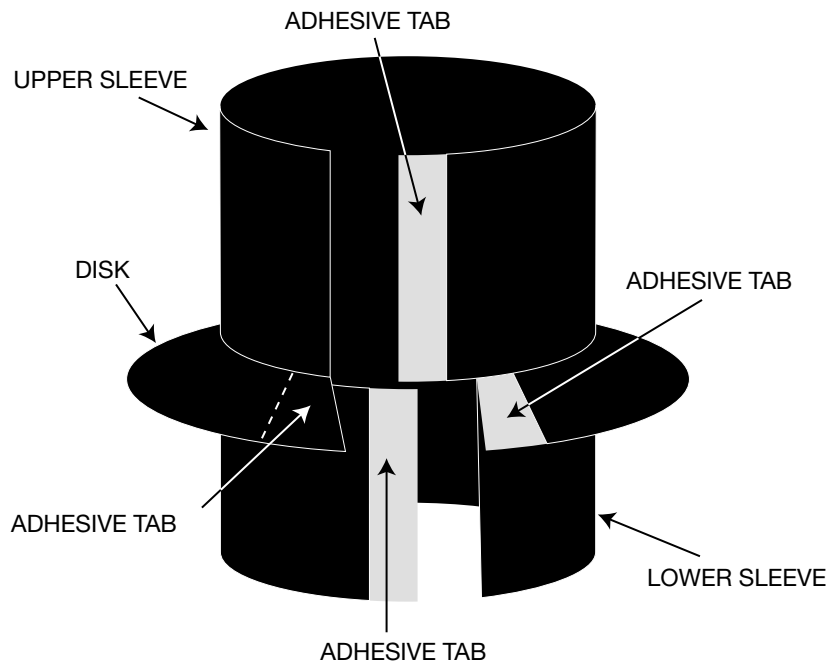


Figure 1

Follow state and local regulations to meet minimum treatment standards for preventive treatment for new construction. Where preventative treatment for new construction is required by state or local regulations, Impasse Termite Blocker is only to be used as a supplemental treatment to other EPA registered preventative termite treatments. Where preventative termite treatment for new construction is not required, Impasse Termite Blocker can be used with or without additional treatments.

To provide protection against the most common entry points of subterranean termites, it is necessary to effectively secure the perimeter of the building. When using the Impasse Termite Blockers, after the final grading has been done around the structure, a treatment may be applied to the perimeter of the structure using an EPA-registered approved termiticide.

Impasse™ Termite Blocker

INSTALLATION

The installation of Impasse Termite Blocker begins after the building site has been prepared, and all utility penetrations have been installed and final grading and compaction has been completed. Installation occurs prior to pouring of the concrete foundation.

Install Impasse Termite Blockers prior to any other preventative termite treatment for new construction.

Vertical Plumbing and Utility Penetrations

Ensure that the plumber has not inadvertently provided subterranean termites permanent access to the building by using hollow building materials to *support* the utility penetrations. Prior to installing Impasse Termite Blocker, all hollow building materials used to support utility penetrations should either be submerged to a level that will be below the concrete slab surface, replaced with solid supports or filled with a material impervious to termites. If these pipes cannot be submerged, removed or replaced, fill the hollow pipe with a material impervious to termites, crimp the top with pliers and install an Impasse Termite Blocker.

Prepare the utility penetration by repositioning or removing any protective material covering the pipe so that the Impasse Termite Blocker can be installed at or close to the soil surface. The protective material covering the pipe will need to be replaced above and below the Impasse Termite Blocker so that the entire utility penetration is protected to its original state.

STEP 1. Select the correct size Impasse Termite Blocker that will fit the size of the utility penetration being treated.

STEP 2. Remove the three adhesive pull tabs; one from the disk portion, one from the upper sleeve and one from the lower sleeve of the Impasse Termite Blocker.

Open the Impasse Termite Blocker and wrap it around the utility penetration, logo side up. Adhere the disk portion of the Impasse Termite Blocker then wrap and adhere the upper and lower sleeves of the Impasse Termite Blocker.

Slide the Impasse Termite Blocker down the utility penetration so that the lower portion of the Termite Blocker is sitting on or just above the soil surface. [see Figures 2, 3, 4 and 5]

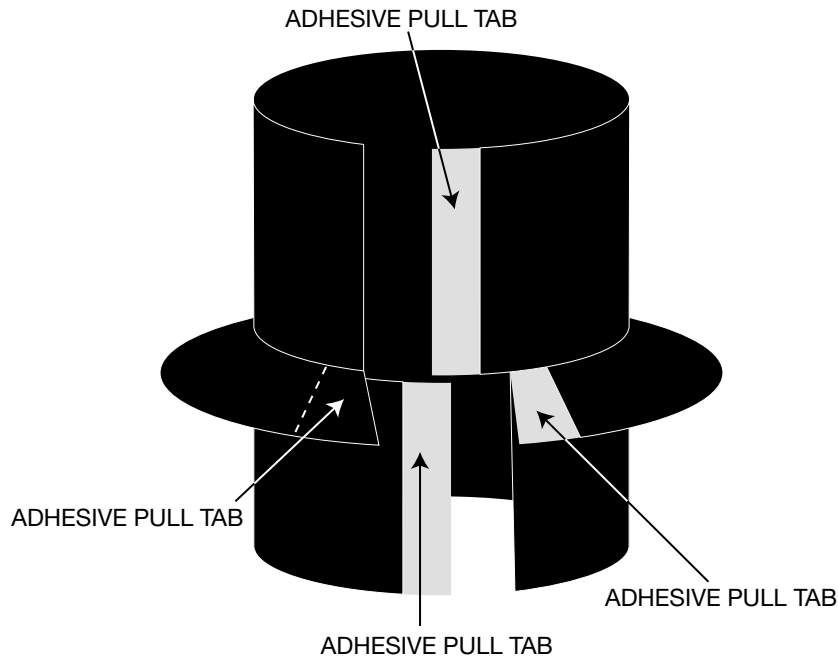


Figure 2

Impasse™ Termite Blocker

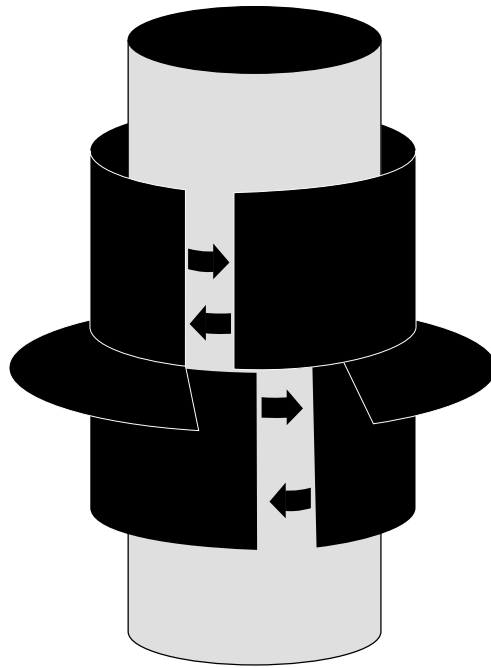


Figure 3

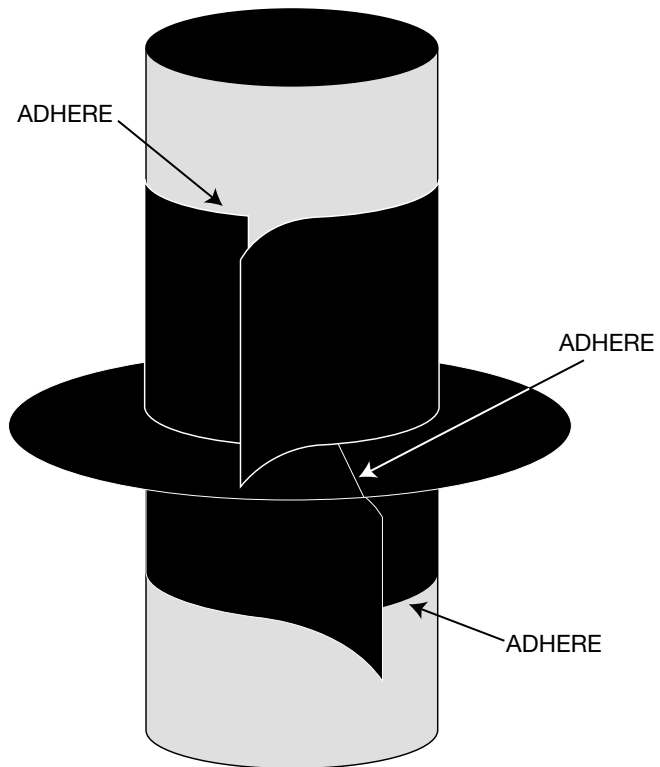


Figure 4

Impasse™ Termite Blocker

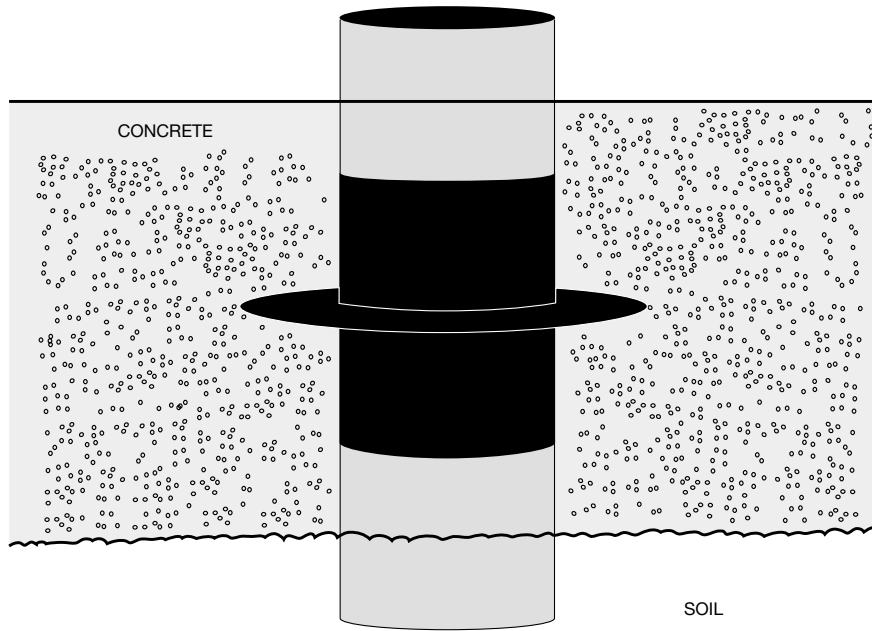


Figure 5

STEP 3. Preparing Impasse Termite Blocker for attachment to utility penetration. Impasse Termite Blocker is fastened into position using two plastic cable ties and a cable tie-fastening unit.

Once Impasse Termite Blocker is in position, install two cable ties on the upper sleeve of Impasse Termite Blocker. Each cable tie must be correctly and securely fitted to provide an effective barrier against termite entry. The cable ties should be placed around the upper sleeve and close to the disc. The cable ties should be approximately 1/4 inch apart.

As illustrated in Figure 6, arrange the two cable ties around Impasse Termite Blocker so that the locking mechanism of the cable ties are at opposite sides of the pipe penetration.

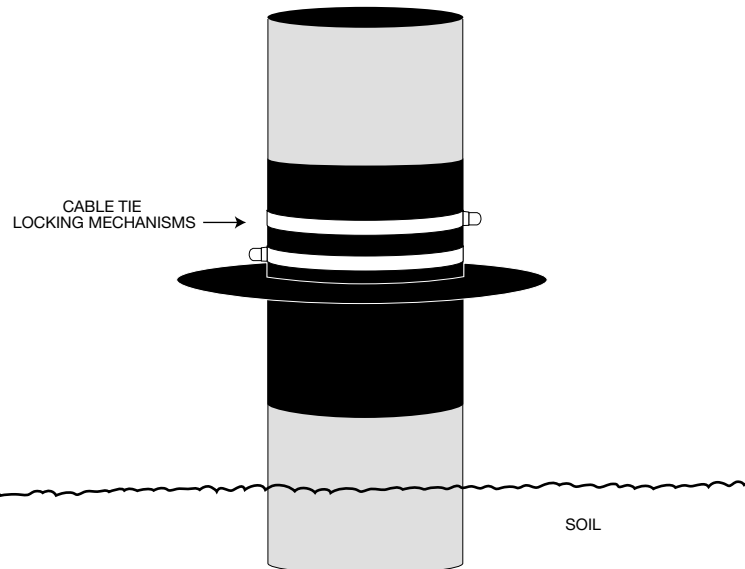


Figure 6

Impasse™ Termite Blocker

Non-Vertical Plumbing and Utility Penetrations

When installing Impasse Termite Blocker on any utility penetration that is not vertical, it is important that the rim of the Impasse Termite Blocker disk be at least 2-inches below where the top of the concrete surface will be after pouring (see Figure 7).

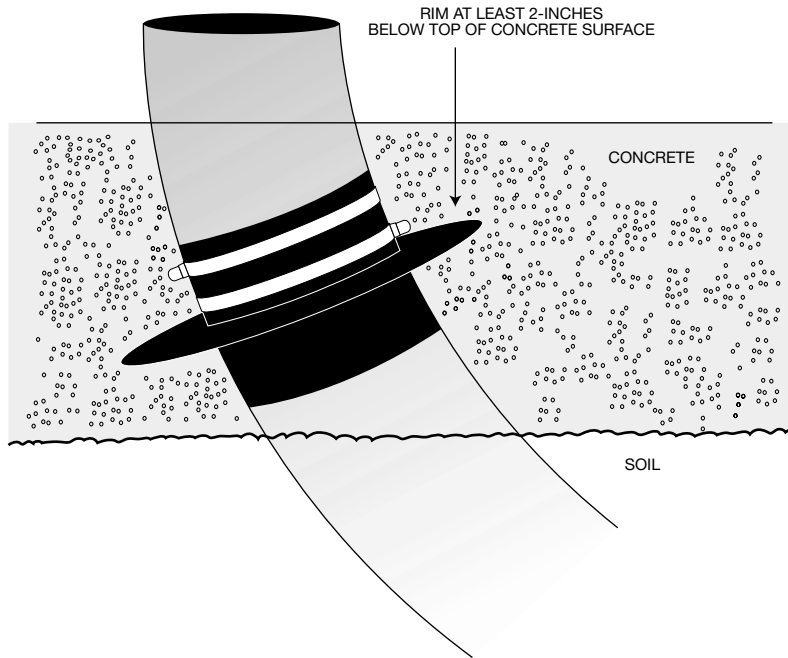


Figure 7

Bath Trap Drainpipes

When a drainpipe is situated in a bath trap, the soil around the drain must be removed to grade prior to fitting the drainpipe with Impasse Termite Blocker-Bath Trap.

STEP 1. Remove the container holding the soil around the drainpipe. Remove the soil to grade level.

STEP 2. Install Impasse Termite Blocker-Bath Trap placing the conical section of the Termite Blocker-Bath Trap over the utility penetration, cutting the top of the conical section to fit tightly over the pipe. Slide the Impasse Termite Blocker-Bath Trap down to the soil surface. Position the rectangular portion of the Impasse Termite Blocker-Bath Trap so that it will be totally embedded in concrete and no soil surface will be visible after the outer container is later removed (see Figure 8).

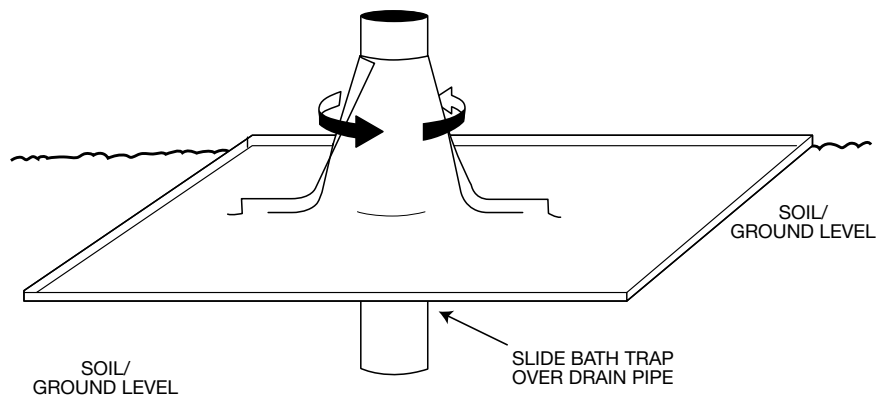


Figure 8

Impasse™ Termite Blocker

STEP 3. The conical section of the Impasse Termite Blocker-Bath Trap is fastened into position using two plastic cable ties and a cable tie-fastening unit.

Before securing the two cable ties, fold the seams of the conical section so they lay flat against the pipe penetration (see Figure 8).

Each cable tie must be correctly and securely fitted to provide an effective barrier against termite entry. As illustrated in Figure 9, arrange the two cable ties around the Impasse Termite Blocker-Bath Trap so that the locking mechanism of the cable ties are at opposite sides of the pipe penetration. The locking mechanisms should not be placed directly over the seam of the conical section.

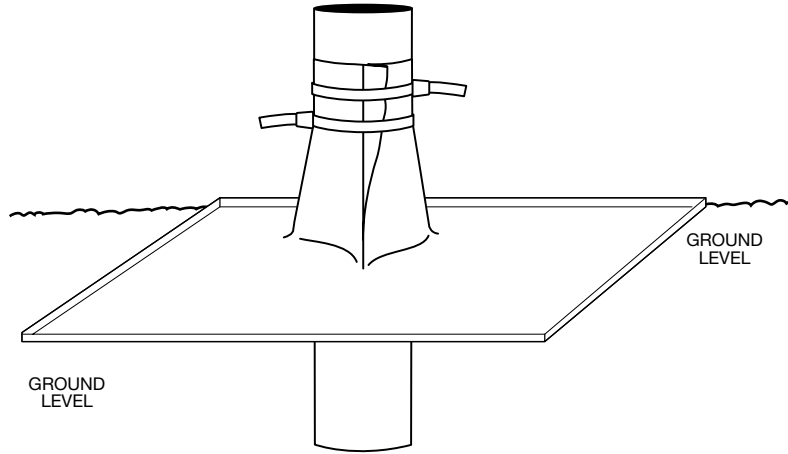


Figure 9

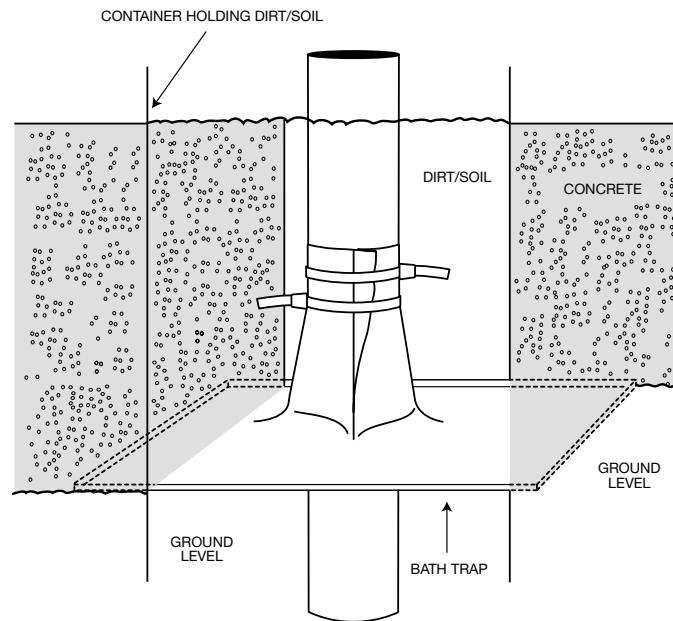


Figure 10

STEP 4. Replace the container and fill it with soil. Take care that the top of the conical section is below the top of the soil (see Figure 10).

Impasse™ Termite Blocker

IMPASSE TERMITE BLOCKER - INSPECTION

The last step in the installation of Impasse Termite Blocker is a quality inspection. After the installation of all Impasse Termite Blockers around each utility penetration and bath trap drainpipe has been completed, check to ensure that all Impasse Termite Blockers have been correctly installed and securely fastened using two cable ties.

Impasse™ and the Syngenta logo are trademarks of a Syngenta Group Company.

©2003 Syngenta

For non-emergency (e.g., current product information) call
Syngenta Crop Protection at 1-800-334-9481

Syngenta Crop Protection, Inc.
Greensboro, NC 27409
www.syngenta-us.com

SCP 1166A-L1A 0603

Impasse™ Termite Blocker

impasse™
TERMITE BLOCKER

Active Ingredient:
Lambda-cyhalothrin*
[1α(S*),3α(Z)]-(±)-cyano-
(3-phenoxyphenyl)methyl-
3-(2-chloro-3,3,3-trifluoro-1-
propenyl)-2,2-dimethylcyclo-
propanecarboxylate 0.77%

Other Ingredients: 99.23%
Total: 100.00%

*A synthetic pyrethroid

EPA Reg. No. 100-1166

EPA Est. 73961-GA-002

Impasse™ and the Syngenta logo
are trademarks of a
Syngenta Group Company.

©2003 Syngenta

Syngenta Crop Protection, Inc.
Greensboro, NC 27409
www.syngenta-us.com

KEEP OUT OF REACH OF CHILDREN. CAUTION

See additional precautionary statements and directions for use in booklet.

Precautionary Statements

Hazards To Humans And Domestic Animals

CAUTION

Prolonged or frequently repeated skin contact might cause skin reactions in some individuals.

FIRST AID

If on skin or clothing: Take off contaminated clothing. Rinse immediately with plenty of water for 15-20 minutes. Call a poison control center or doctor for treatment advice.

Have the product container or label with you when calling a poison control center or doctor, or going for treatment.

HOT LINE NUMBER: For 24 Hour Medical Emergency Assistance (Human or Animal) Or Chemical Emergency Assistance (Spill, Leak, Fire or Accident), Call 1-800-888-8372.

Environmental Hazards

This product is toxic to fish. Do not apply directly to water. Do not contaminate any water by disposal of this product.

Storage and Disposal

Refer to attached booklet for full storage and disposal directions.

Container Disposal

Dispose empty container at an approved waste disposal facility. Do not reuse container.

syngenta

Net Contents
Qty. 12

SCP 1166A-L5A 0603
126565

Blocker Size:
3/8"
Multi

syngenta